

**P 210 BK** *Light Class*

**PALFINGER**

LIFETIME EXCELLENCE

# THE **FLEXIBLE** PLATFORM WITH MOTION IN MIND





# LIFETIME EXCELLENCE

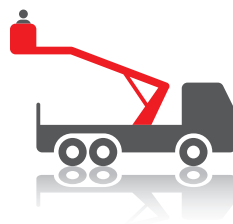
THE RESULT IS **PALFINGER ACCESS PLATFORMS** FEATURING THE MOST STATE-OF-THE-ART HEIGHT TECHNOLOGY THAT ACHIEVE ABSOLUTE PEAK PERFORMANCES, EVEN WHEN CONFRONTED WITH THE MOST DIFFICULT OF JOBS IN PRACTICE. **DEVELOPED FOR THE GLOBAL MARKET, DESIGNED FOR THE FUTURE.**

BETTER  
SOLUTIONS

BETTER  
EFFICIENCY

BETTER  
ERGONOMICS

HIGHER VALUE  
RETENTION



HIGHER  
AVAILABILITY

HIGHER  
SERVICEABILITY

BETTER  
ECOLOGY

MORE  
RELIABILITY



2 x 85°

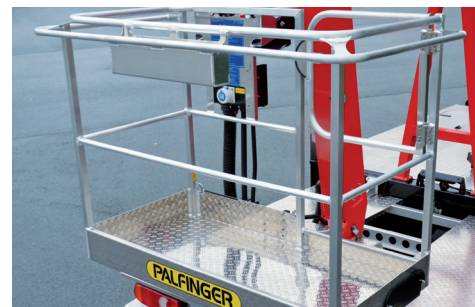
185°



# BEST PERFORMANCE IN THE 3.5 T CLASS

# 5

## HIGHLIGHTS



### COMFORT

- Jib of weight-optimized aluminum construction
- Maximum performance: rotatable up to 185°!
- Special platform mode driving and operating while jib in an upright position and the ability to work below ground level
- Self-explanatory operator prompting at the control panel
- Error indication via LED
- Rugged, protective synthetic cover
- Sturdy aluminum workman basket with integrated tool shelf
- PALFINGER safety concept: self-closing basket door for easy, upright access, additional handrail and non-slip floor
- Electronic leveling system
- Basket swiveling range 2 x 85°



### FIRST-CLASS PERFORMANCE

“7.5 t performance on a total weight of 3.5 t”. High torsional rigidity with a low dead weight are the result of a successful design concept by PALFINGER.

- Telescopic extension booms of weight-optimized hexagonal aluminum sections
- Maintenance-free sliding elements for wear-resistant telescope guidance

### SAFETY

- Patented outreach optimization (outreach regulation as a function of setup inclination up to 5°)
  - Generously dimensioned stabilizer plates
  - 3 stabilizer modes (full, one-sided, within vehicle dimensions)
  - Underrun protection in acc. with 2006/20/EC as standard
- Available by Nissan, Renault, Mercedes, VW and Iveco-chassis.





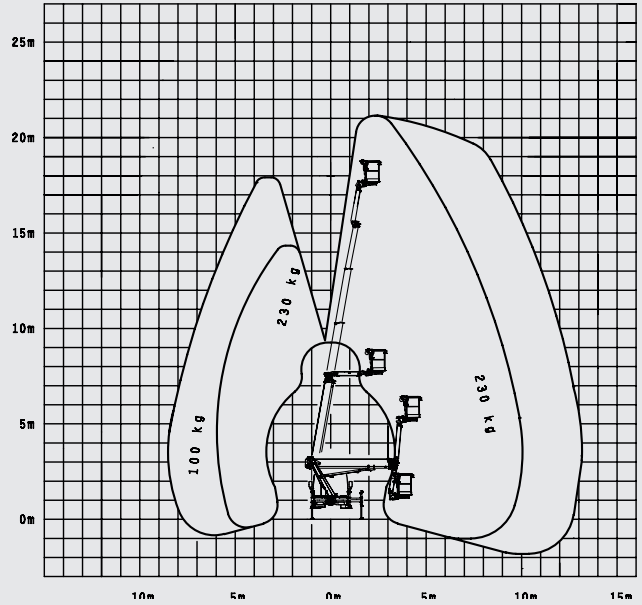
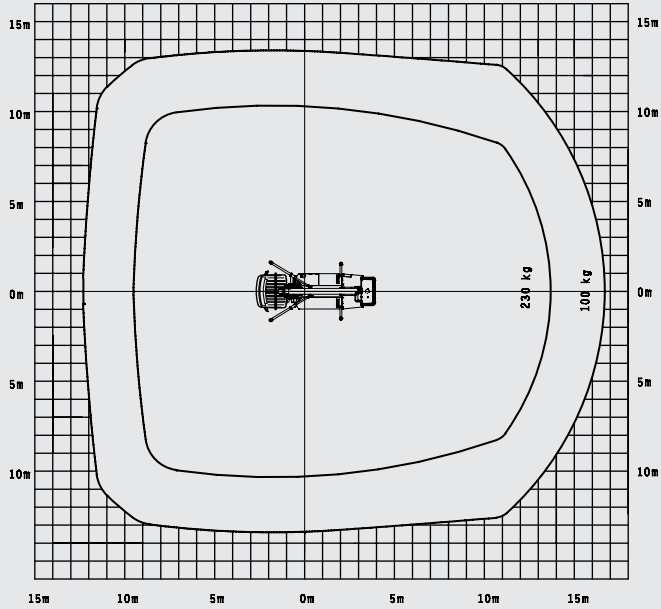
- Lightweight and robust aluminium telescopic system
- Extremely flexible in its applications thanks to the 185° mobility of the jib boom
- User-friendly thanks to the memory function, home function and automatic levelling system that all come as standard
- With 3 support configurations, it can be set up in almost any available space
- Capable of performing work below ground level, e.g. on an embankment below the road level
- A real master of mobility and flexibility, it provides access wherever you need it, effortlessly overcoming obstacles or working below the road level



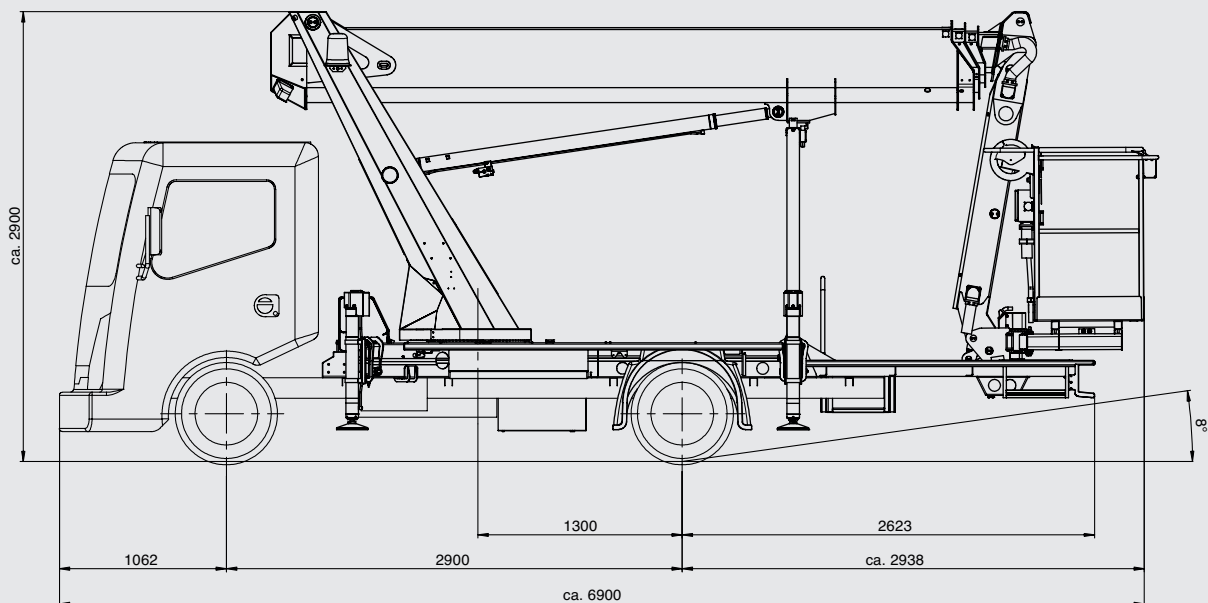


# P 210 BK *Light Class*

## WORKING DIAGRAMS



## DIMENSIONS





## TECHNICAL SPECIFICATIONS

Max. working height	21 m
Max. cage bottom height	19 m
Max. outreach to the side (incl. hand area)	13.5 m
Max. outreach to the back (incl. hand area)	16.7 m
Angle of main boom	-15° to -82°
Rotation angle of turntable	500°
Rotation angle of cage	2 x 85°
Rotation angle of cage boom	185°
Max. cage load	230 kg
Size of cage	1.4 x 0.7 x 1.1 m
Max. inclination of platform	5°
Height in transportposition	2.9 m
Width in transportposition	2.22 m
Overall length	6.9 m
Wheelbase	2.9 m
Overall weight with persons in the cab	3320 kg

## OPTIONAL

Automated positioning system	yes
Battery voltage monitor	yes
Memory function	yes
Home function	yes





Units shown in the leaflet are partially optional equipped and do not always correspond to the standard version. Country-specific regulations must be observed. Dimensions may vary. Subject to technical changes, errors and translation mistakes.